



8A - 201 - 0 ELECTRICAL DIAGNOSIS

COMPONENT LOCATION VIEWS

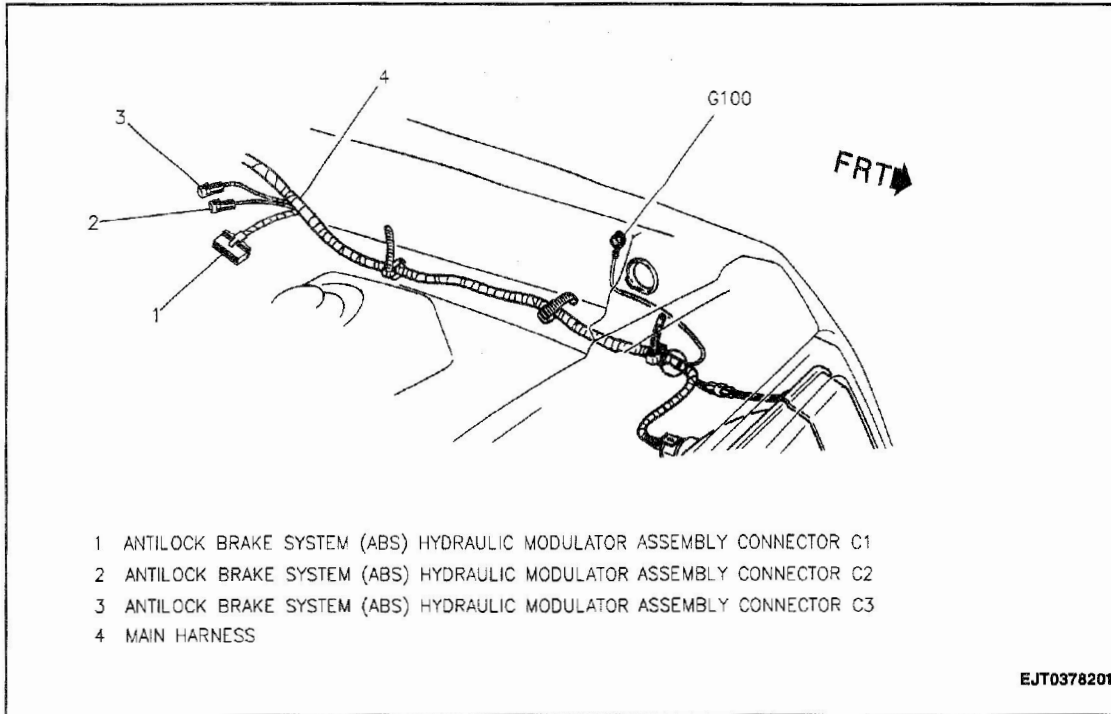


Figure A - LH Engine Compartment

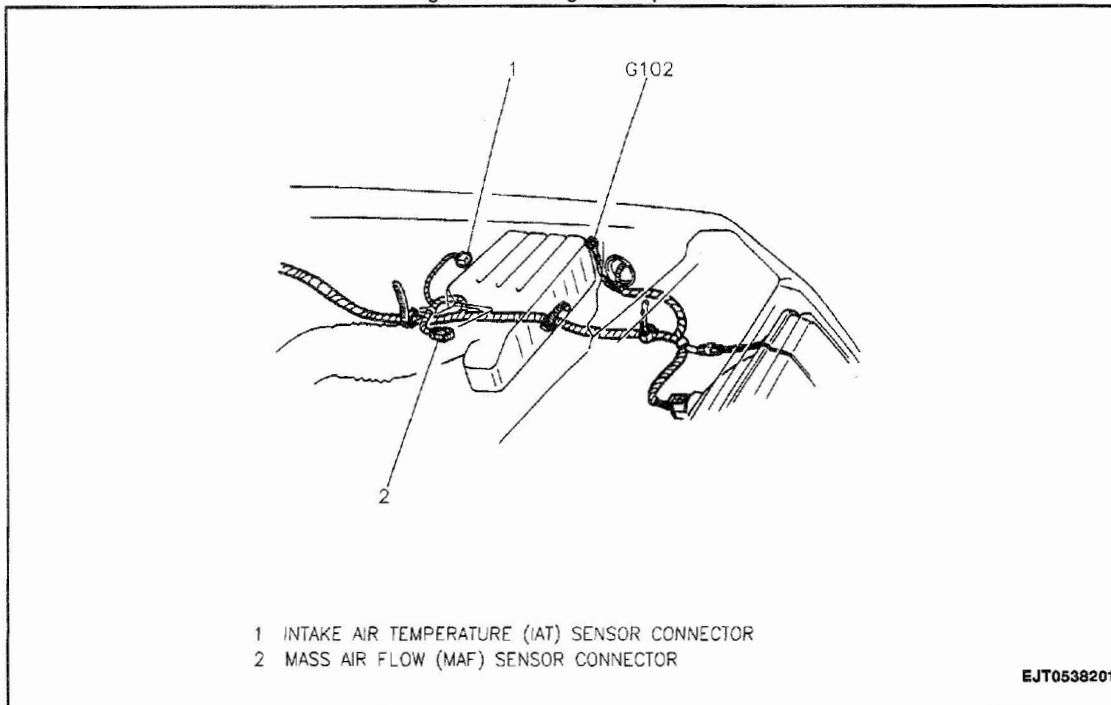


Figure B - LH Front Engine Compartment

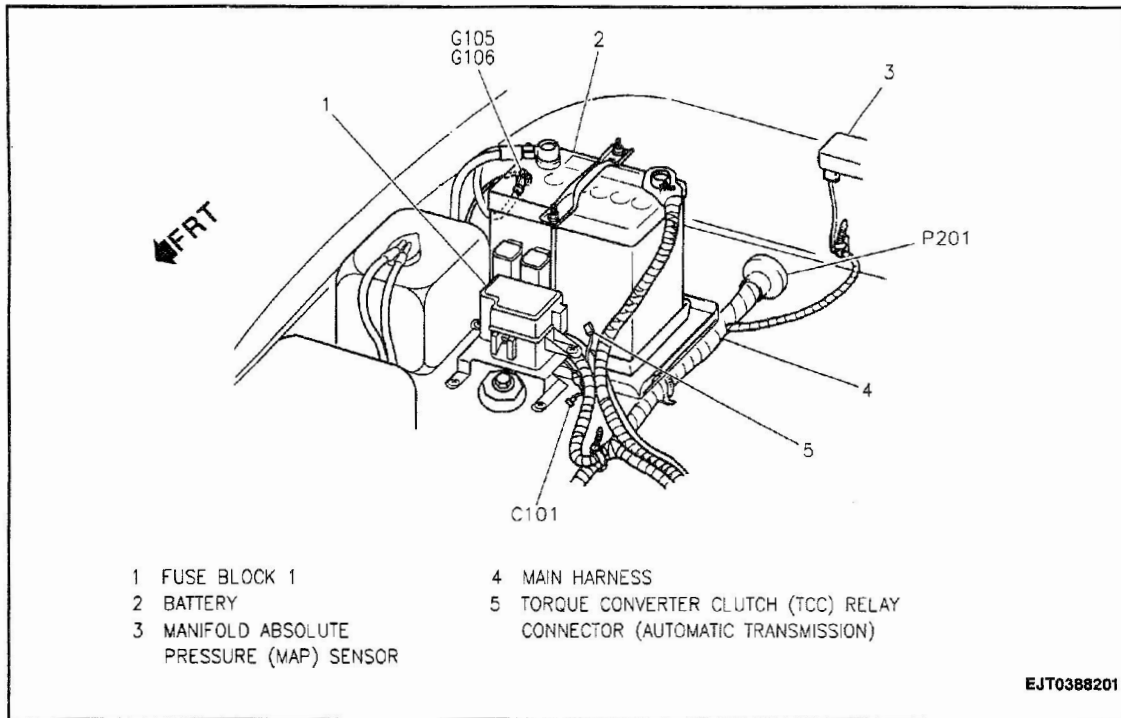


Figure A - RH Rear Engine Compartment

8A - 201 - 2 ELECTRICAL DIAGNOSIS

COMPONENT LOCATION VIEWS

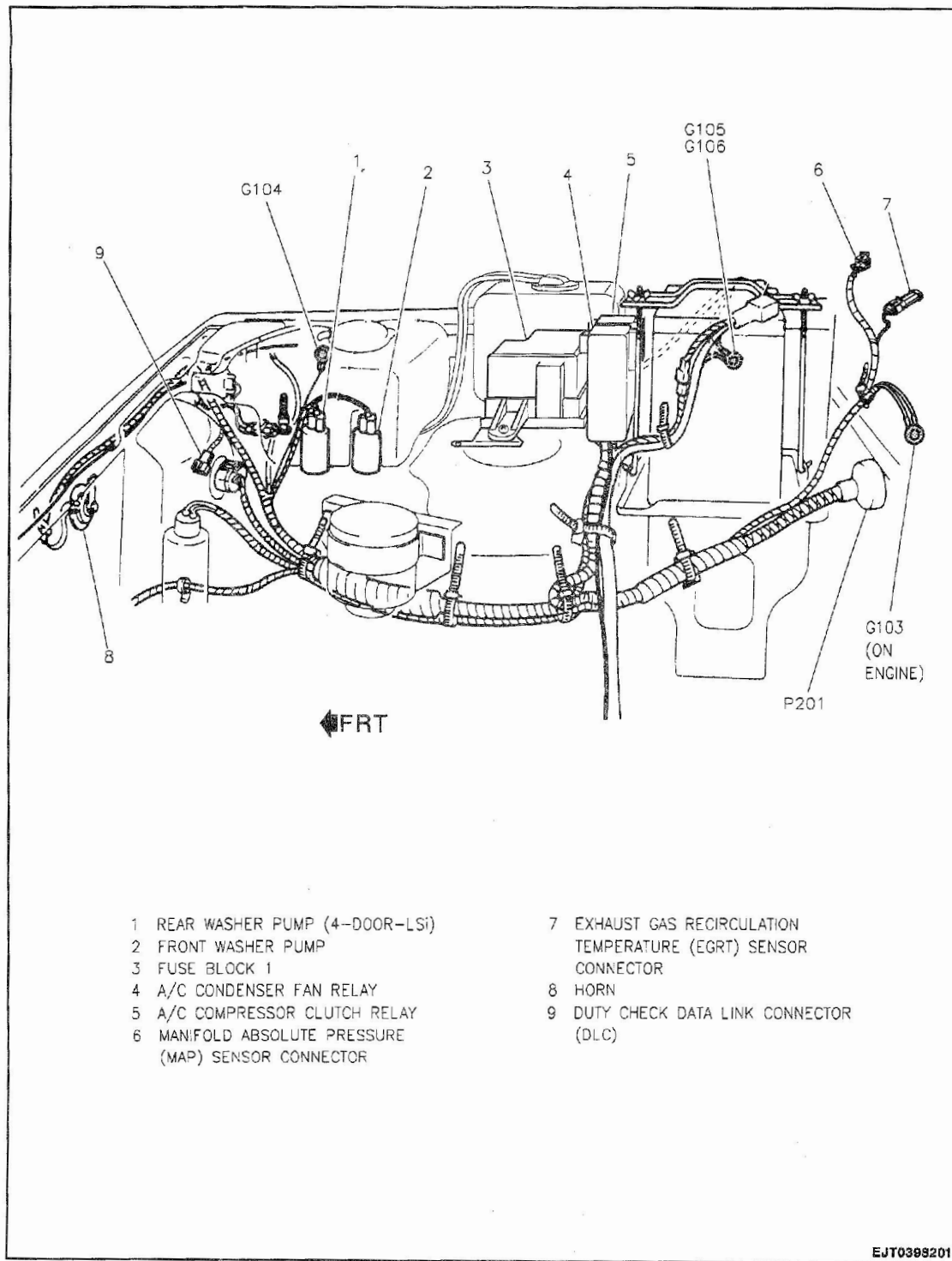


Figure A - RH Engine Compartment

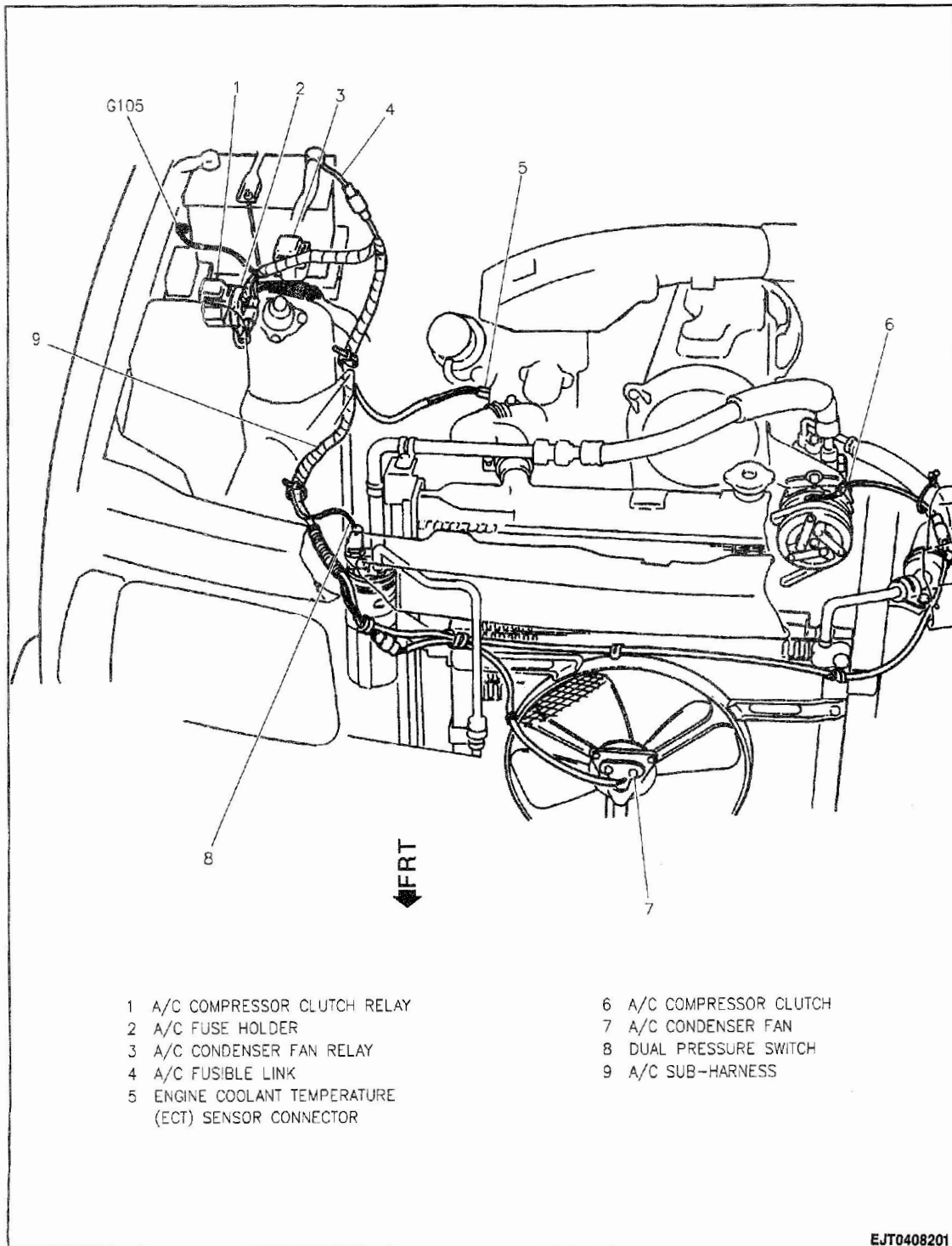
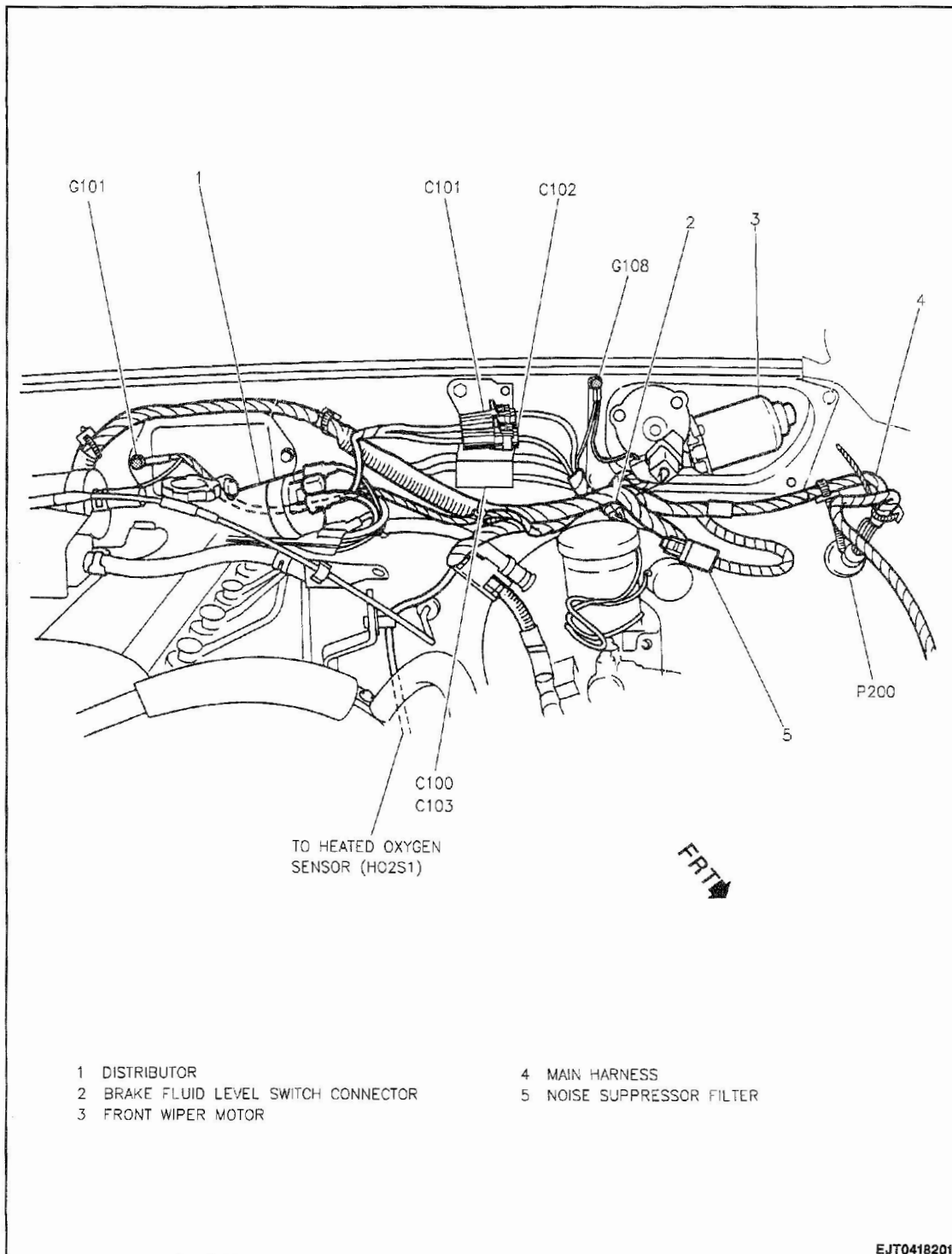


Figure A - RH Front Engine Compartment

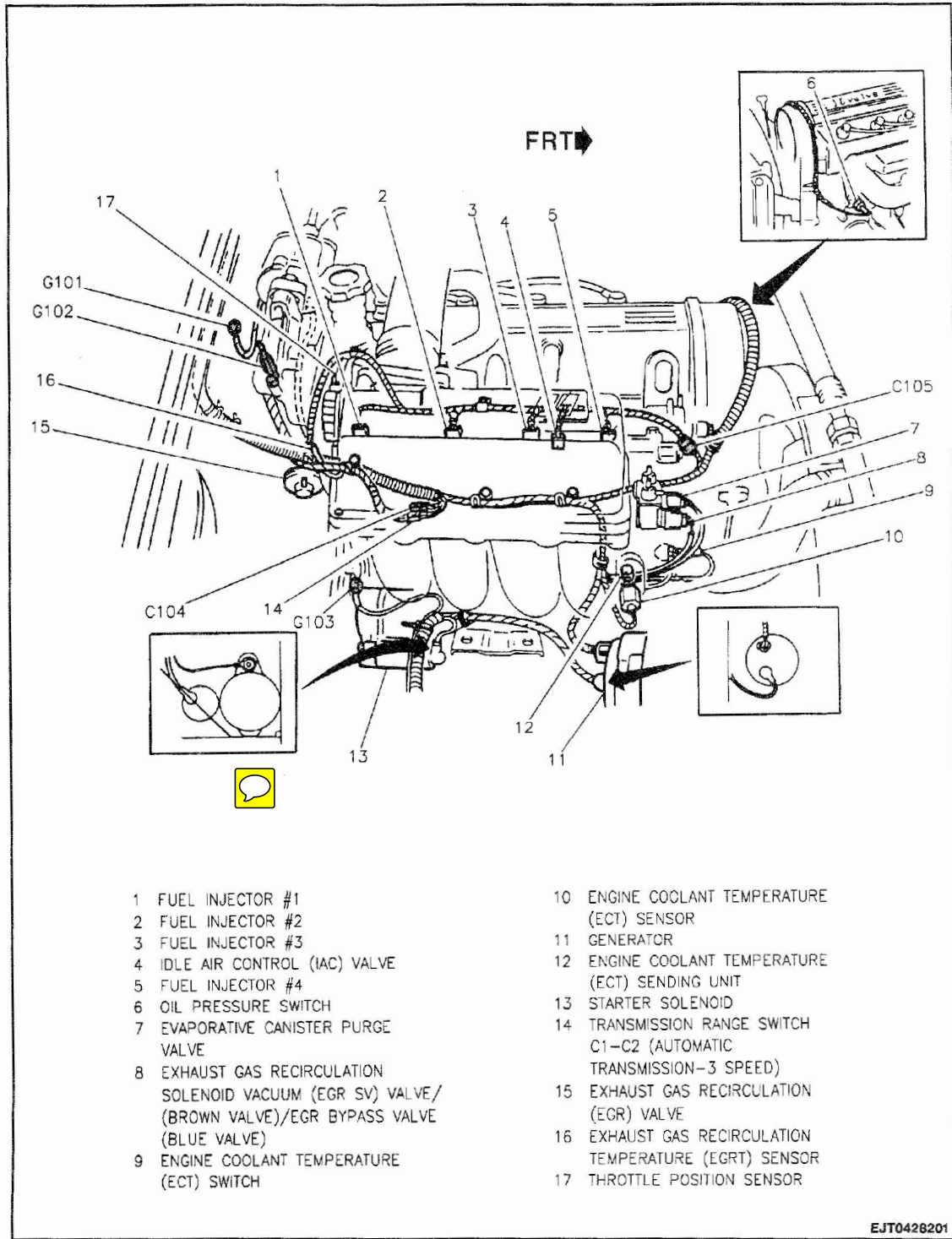
8A - 201 - 4 ELECTRICAL DIAGNOSIS

COMPONENT LOCATION VIEWS



EJT0418201

Figure A - LH Bulkhead

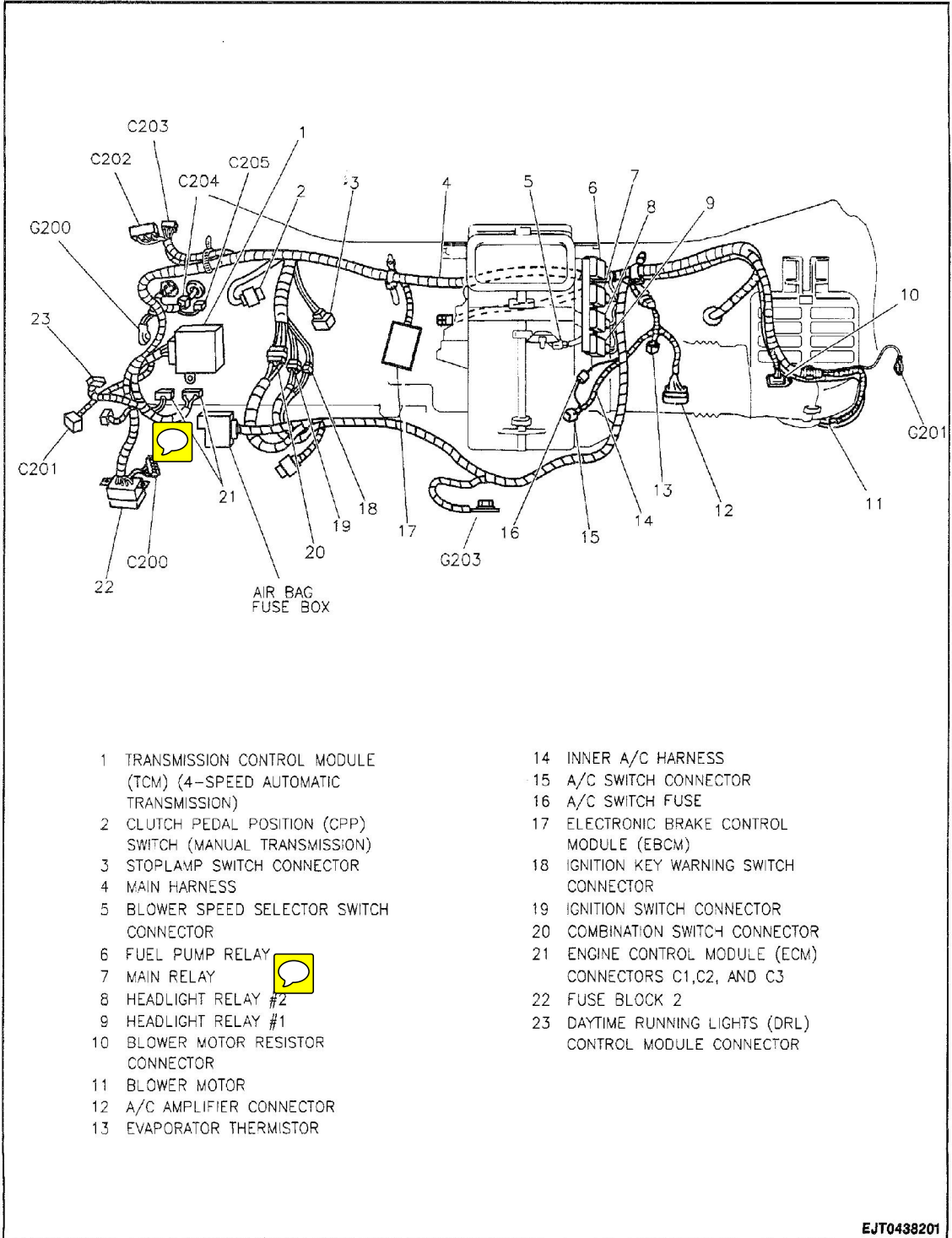


- | | |
|---|---|
| 1 FUEL INJECTOR #1 | 10 ENGINE COOLANT TEMPERATURE (ECT) SENSOR |
| 2 FUEL INJECTOR #2 | 11 GENERATOR |
| 3 FUEL INJECTOR #3 | 12 ENGINE COOLANT TEMPERATURE (ECT) SENDING UNIT |
| 4 IDLE AIR CONTROL (IAC) VALVE | 13 STARTER SOLENOID |
| 5 FUEL INJECTOR #4 | 14 TRANSMISSION RANGE SWITCH C1-C2 (AUTOMATIC TRANSMISSION-3 SPEED) |
| 6 OIL PRESSURE SWITCH | 15 EXHAUST GAS RECIRCULATION (EGR) VALVE |
| 7 EVAPORATIVE CANISTER PURGE VALVE | 16 EXHAUST GAS RECIRCULATION TEMPERATURE (EGRT) SENSOR |
| 8 EXHAUST GAS RECIRCULATION SOLENOID VACUUM (EGR SV) VALVE/ (BROWN VALVE)/EGR BYPASS VALVE (BLUE VALVE) | 17 THROTTLE POSITION SENSOR |
| 9 ENGINE COOLANT TEMPERATURE (ECT) SWITCH | |

EJT0428201

Figure A - Engine

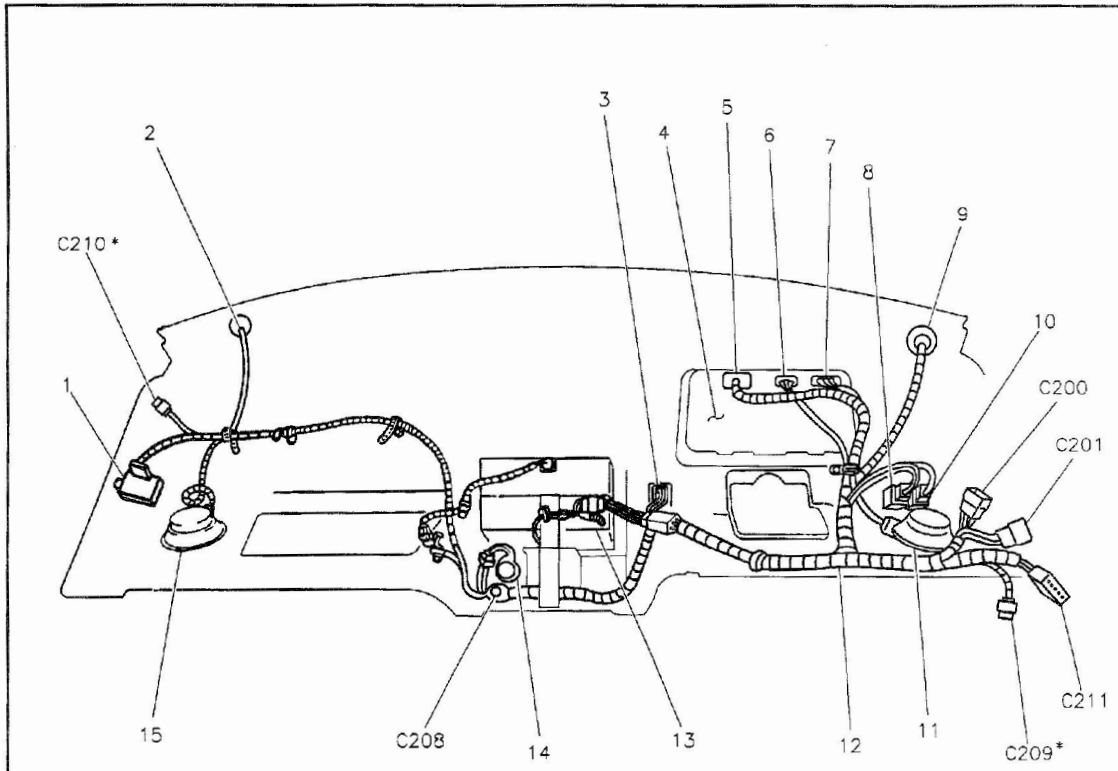
8A - 201 - 6 ELECTRICAL DIAGNOSIS
COMPONENT LOCATION VIEWS



- | | |
|---|---|
| <ul style="list-style-type: none"> 1 TRANSMISSION CONTROL MODULE (TCM) (4-SPEED AUTOMATIC TRANSMISSION) 2 CLUTCH PEDAL POSITION (CPP) SWITCH (MANUAL TRANSMISSION) 3 STOPLAMP SWITCH CONNECTOR 4 MAIN HARNESS 5 BLOWER SPEED SELECTOR SWITCH CONNECTOR 6 FUEL PUMP RELAY 7 MAIN RELAY 8 HEADLIGHT RELAY #2 9 HEADLIGHT RELAY #1 10 BLOWER MOTOR RESISTOR CONNECTOR 11 BLOWER MOTOR 12 A/C AMPLIFIER CONNECTOR 13 EVAPORATOR THERMISTOR | <ul style="list-style-type: none"> 14 INNER A/C HARNESS 15 A/C SWITCH CONNECTOR 16 A/C SWITCH FUSE 17 ELECTRONIC BRAKE CONTROL MODULE (EBCM) 18 IGNITION KEY WARNING SWITCH CONNECTOR 19 IGNITION SWITCH CONNECTOR 20 COMBINATION SWITCH CONNECTOR 21 ENGINE CONTROL MODULE (ECM) CONNECTORS C1,C2, AND C3 22 FUSE BLOCK 2 23 DAYTIME RUNNING LIGHTS (DRL) CONTROL MODULE CONNECTOR |
|---|---|

EJT0438201

Figure A - Cowl



- | | |
|---|--|
| 1 AUDIO ALARM MODULE | 7 INSTRUMENT PANEL CLUSTER |
| 2 RH FRONT SPEAKER (4-DOOR) | CONNECTOR C1 |
| 3 REAR WIPER/WASHER SWITCH/
CRUISE CONTROL ON/OFF SWITCH
(4-DOOR-LSi) | 8 REAR DEFOGGER SWITCH (HARDTOP) |
| 4 INSTRUMENT PANEL CLUSTER
ASSEMBLY | 9 LH FRONT SPEAKER (4-DOOR) |
| 5 INSTRUMENT PANEL CLUSTER
CONNECTOR C2 | 10 ILLUMINATION CONTROLLER/POWER
MIRROR SWITCH (4-DOOR-LSi) |
| 6 INSTRUMENT PANEL CLUSTER
CONNECTOR C3 | 11 LH FRONT SPEAKER (2-DOOR) |
| | 12 INSTRUMENT PANEL HARNESS |
| | 13 RADIO |
| | 14 CIGAR LIGHTER |
| | 15 RH FRONT SPEAKER (2-DOOR) |

* 4-DOOR LSi ONLY

EJT0448201

Figure A - Instrument Panel (IP)

8A - 201 - 8 ELECTRICAL DIAGNOSIS

COMPONENT LOCATION VIEWS

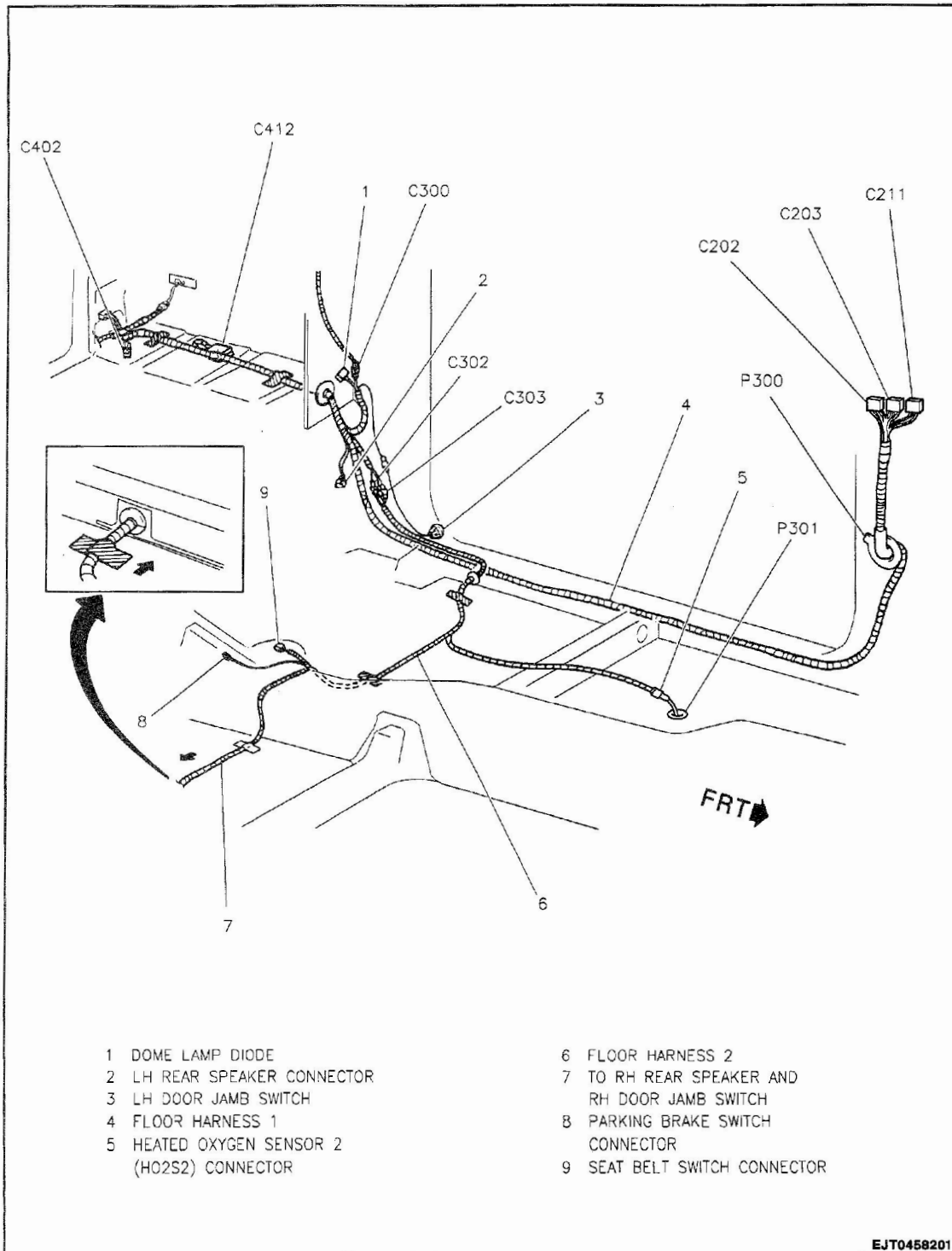


Figure A - Floor Harness (2-Door)

EJT0458201

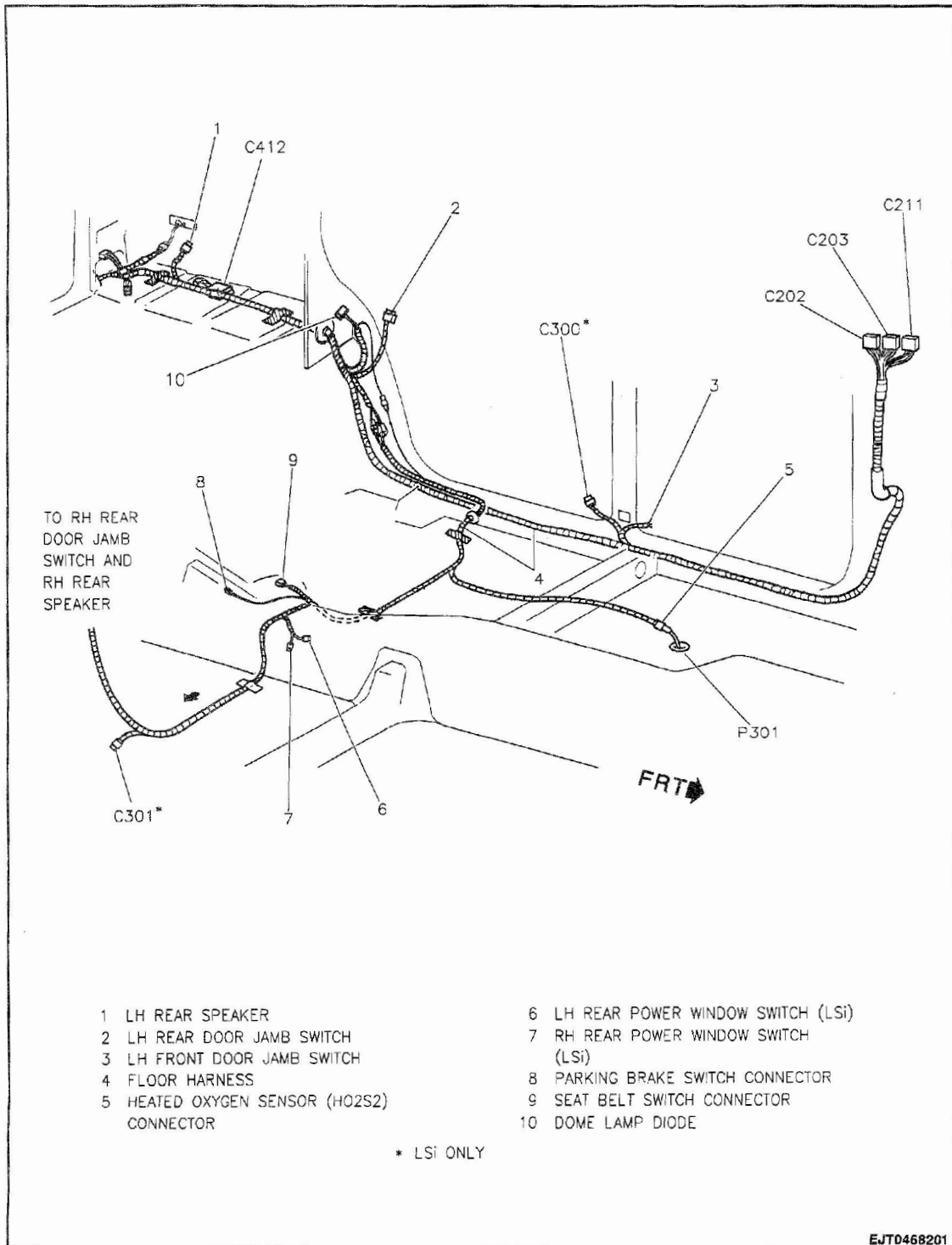


Figure A - Floor Harness (4-Door)

8A - 201 - 10 ELECTRICAL DIAGNOSIS

COMPONENT LOCATION VIEWS

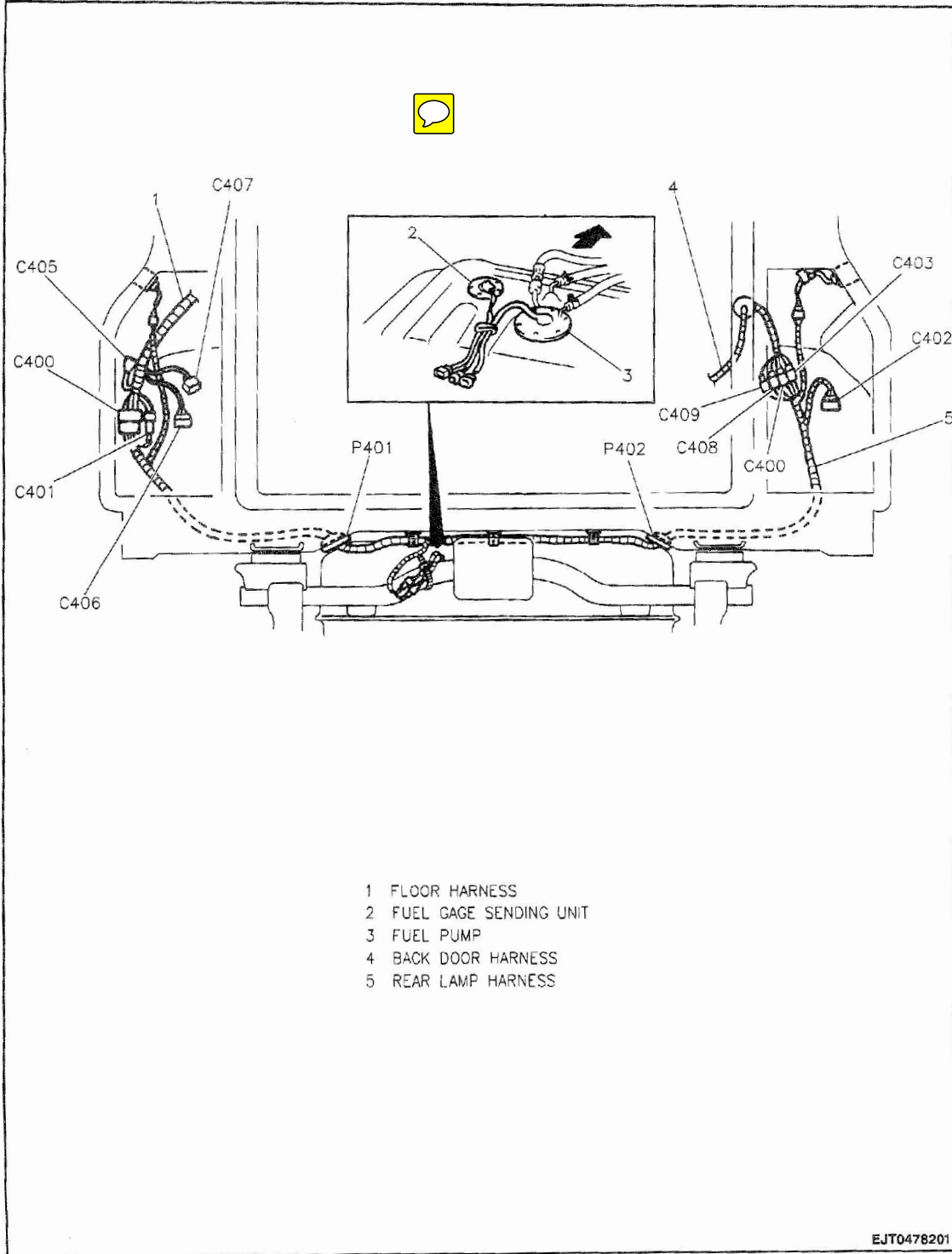


Figure A - Rear Lamp Harness

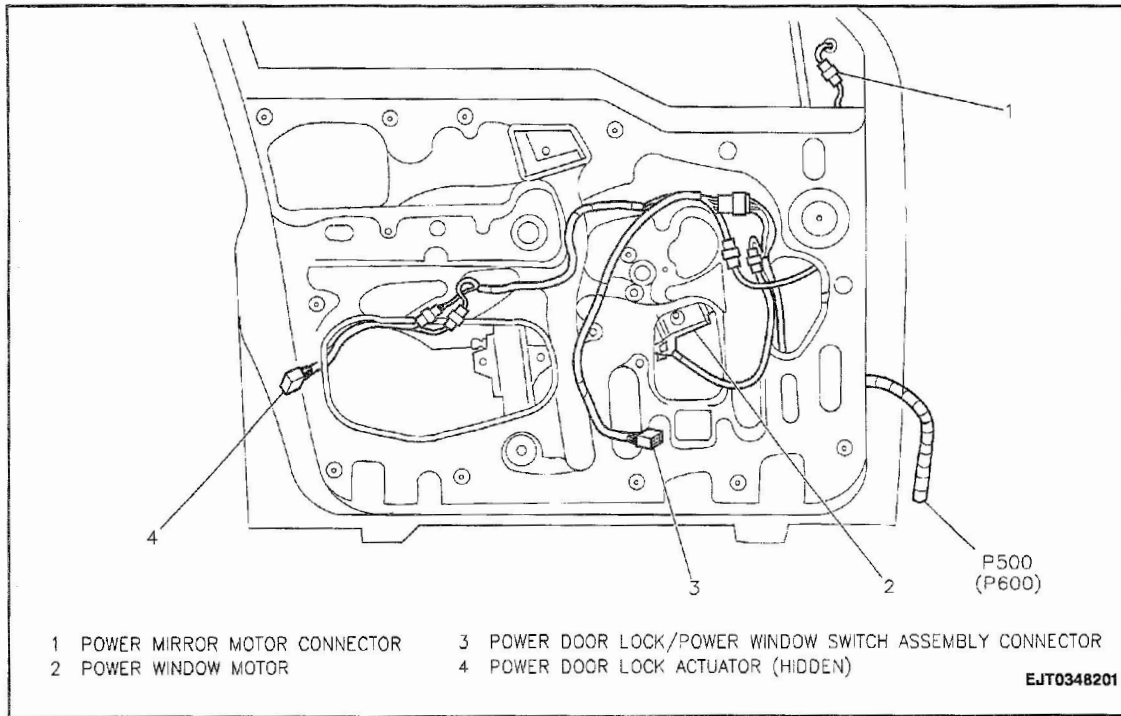


Figure A - Front Door (4-Door LSi) (LH shown, RH similar)

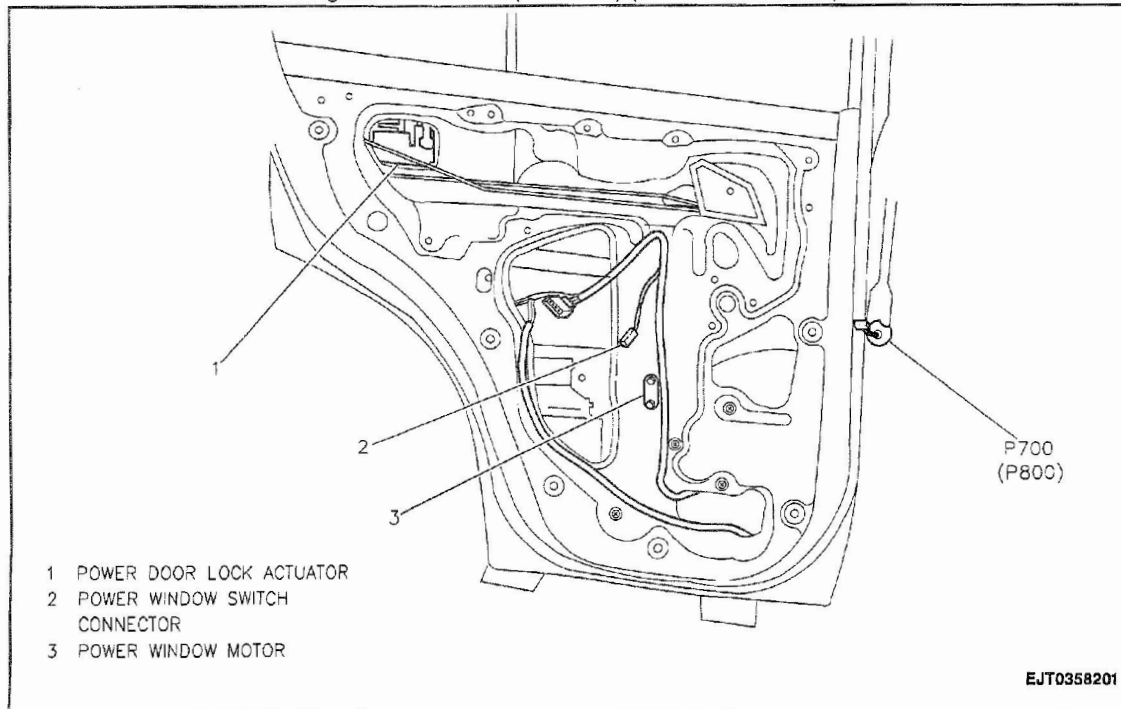


Figure B - Rear Doors (4-Door LSi) (LH shown, RH similar)

8A - 201 - 12 ELECTRICAL DIAGNOSIS

COMPONENT LOCATION VIEWS

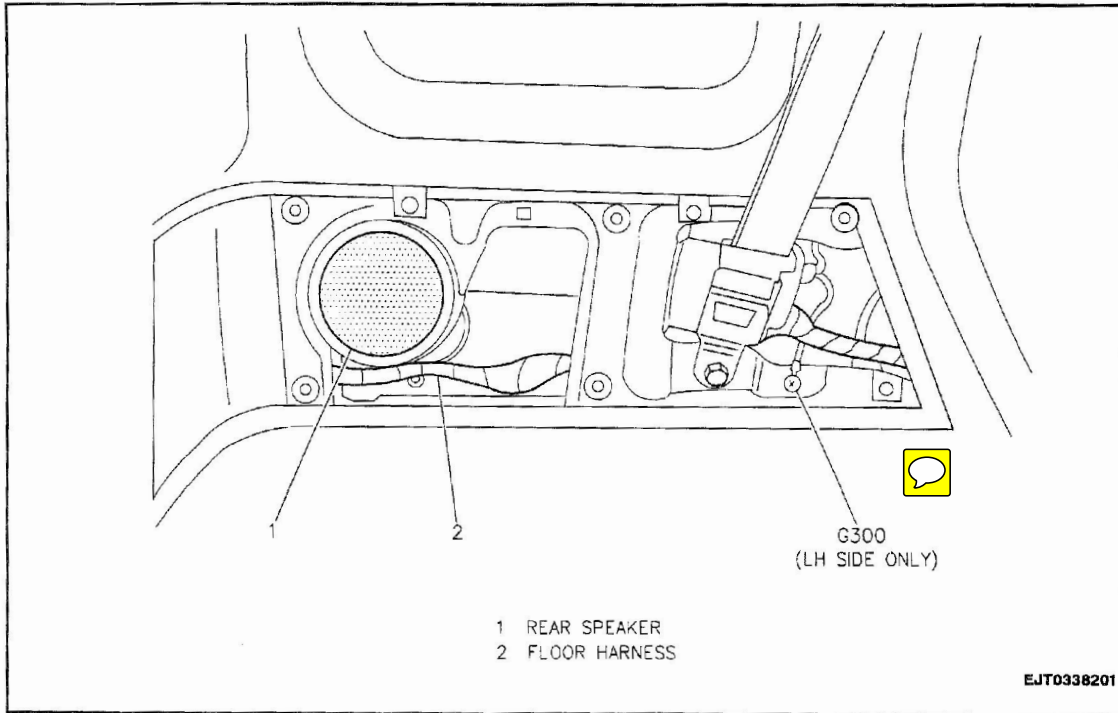


Figure A - Rear Passenger Compartment (4-Door)

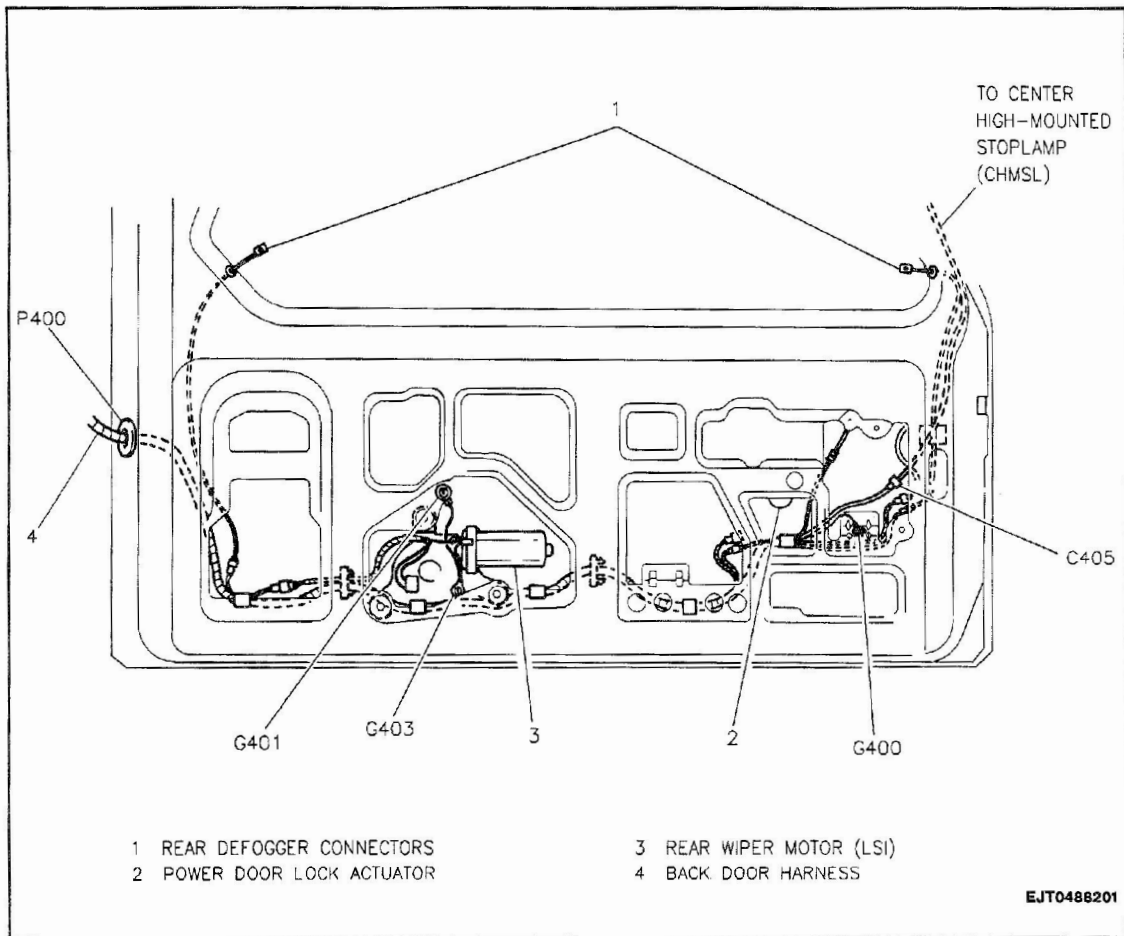


Figure A - Back Door Harness (4-Door)

COMPONENT LOCATION VIEWS

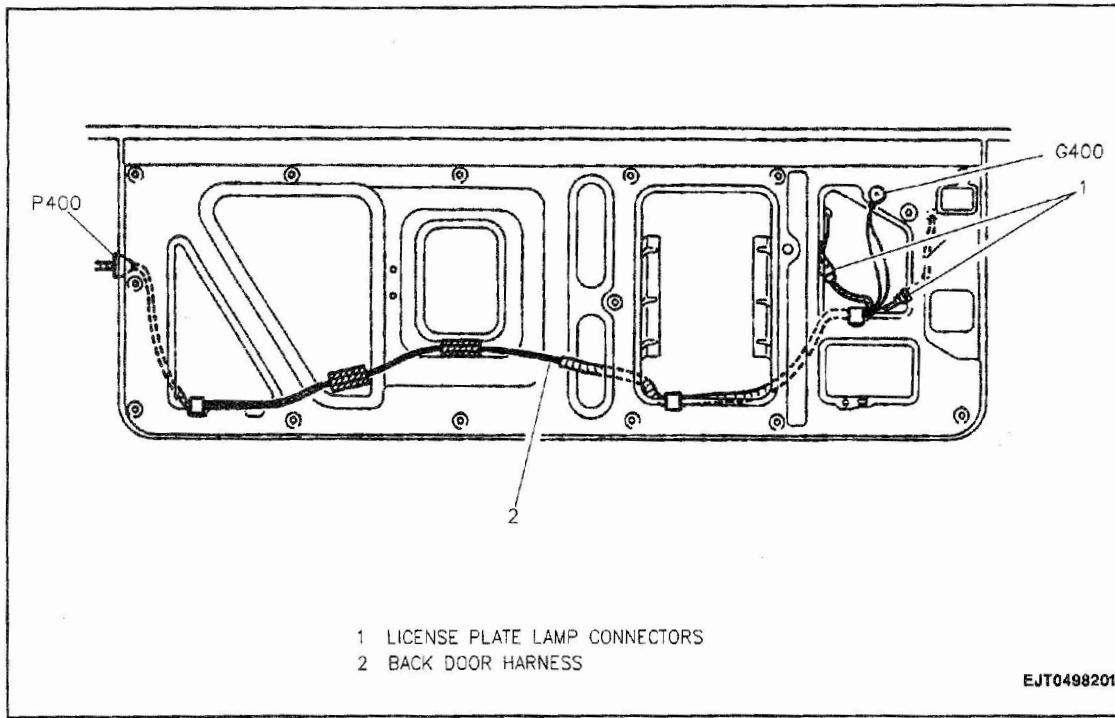


Figure A - Back Door Harness (2-Door)

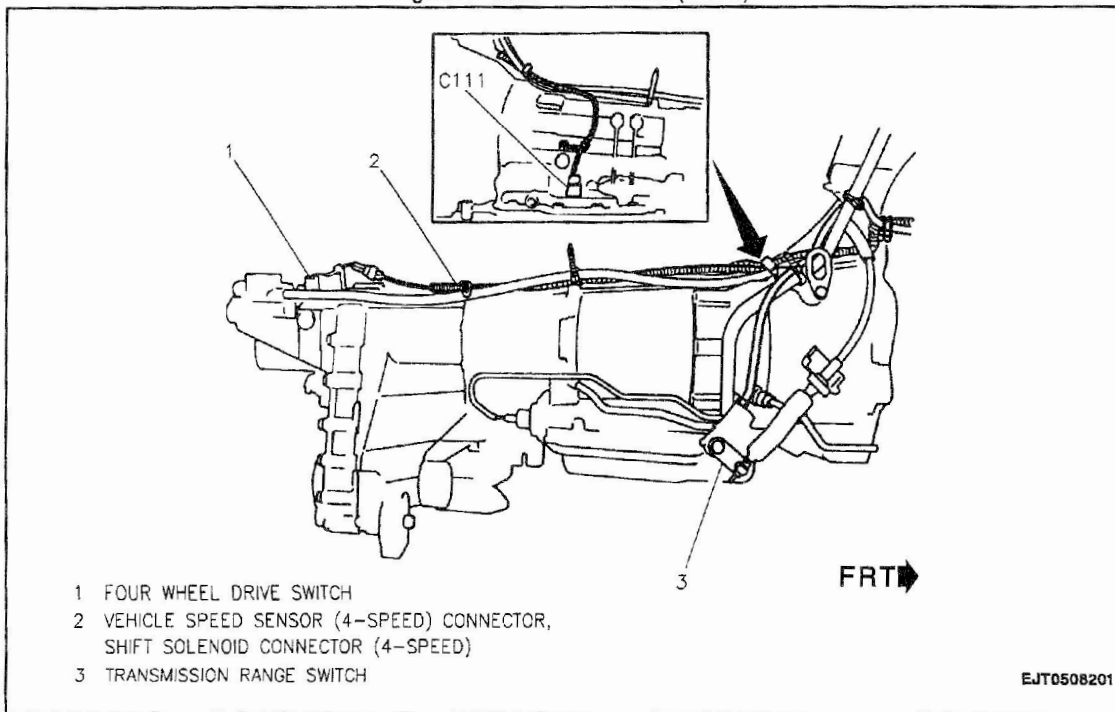


Figure B - Automatic Transmission

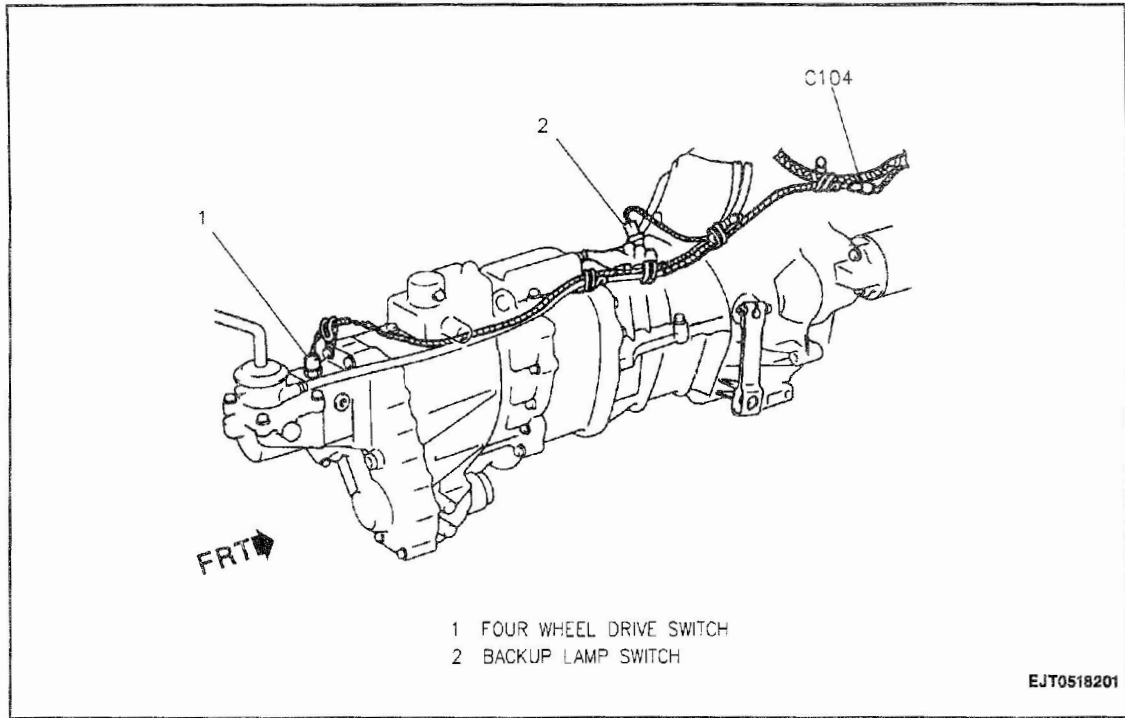


Figure A - Manual Transmission

COMPONENT LOCATION VIEWS

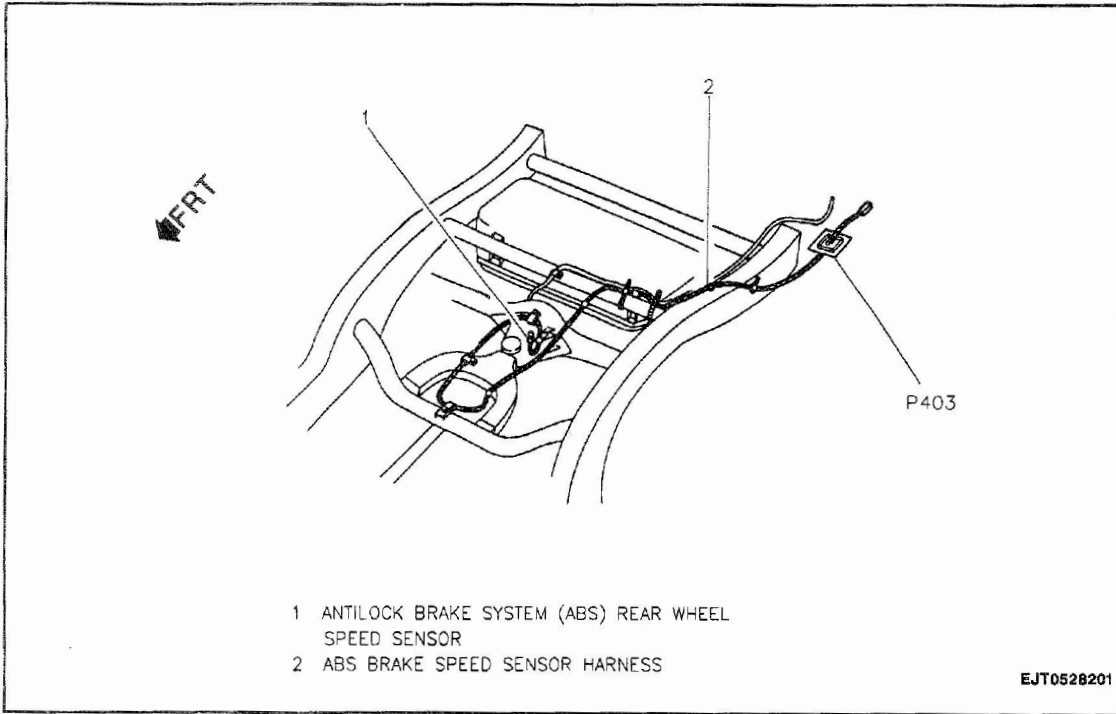


Figure A - Rear Wheel Speed Sensor

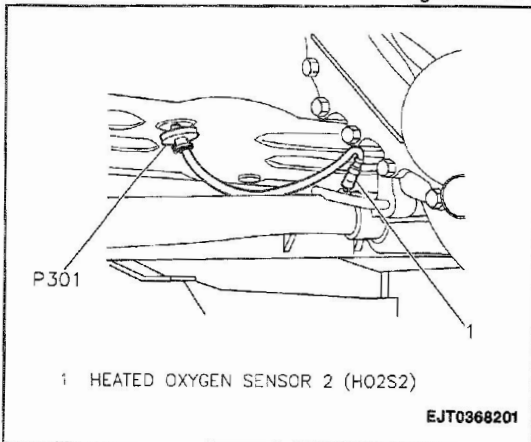


Figure B - Heated Oxygen Sensor 2 (HO2S2)

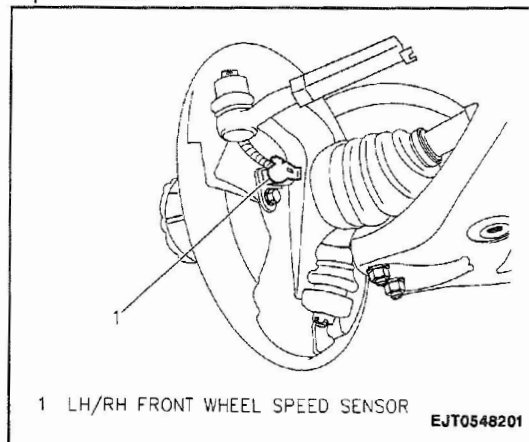


Figure C - RH Front Wheel Speed Sensor (LH similar)